

Virginia Building Code Officials Association

Region V

Proudly Presents



WOOD & WIND

Strong Wall Design Wind Design (2015 WFCM) Roof Uplift

SIMPSON

Strong-Tie

Mike Wolfe
Simpson Strong Tie



Date: May 18, 2017
Time: Registration, 8:00 am
Class: 8:30 am to 12:30 pm
Business meeting to follow
Place: Park West Lions Club
8620 Sunnygate Drive
Manassas, VA 20109



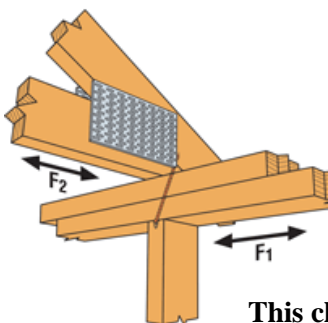
To register, please email by **May 15, 2017:**
Debra M^cMahon debra.mcmahon@fairfaxcounty.gov

Include:
Name, Jurisdiction/Company, Title, email address

No Charge for VBCOA Members in good standing.
All others: \$50.00

VBCOA Region V Meeting to follow the class.
Indicate whether you also want to purchase lunch (\$10)

All training participants are asked to bring a canned food items or to donate \$1 to benefit the Prince William County food bank.



This class qualifies for Continuing Education Units for DHCD (4 contact hours).